



# Cytology

## AEROSPRAY® CYTOLOGY

Slide Stainer / Cytocentrifuge

### Series 2

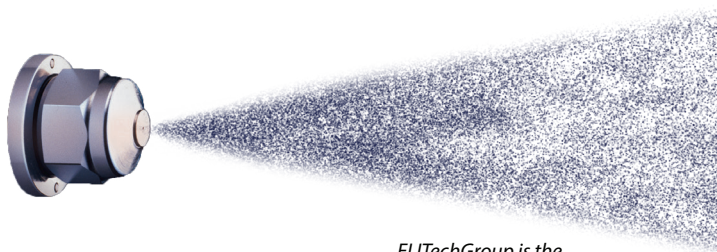


## WORLD'S BEST STAINER IN PERFORMANCE AND RELIABILITY

Automates the preparation and staining of liquid based cytology specimens to facilitate the examination of an array of cell differentiations utilizing Papanicolaou staining techniques.

# DO MORE IN LESS TIME WITH AEROSPRAY® CYTOLOGY STAINING AND CYTOCENTRIFUGE TECHNOLOGY

- Superior staining process that is easy to use and saves time
- Rapid performance cycle time
- Cross-contamination is eliminated with a fresh application of stain
- Automated nozzle clean after each stain cycle reduces maintenance
- Convenient automated waste level detection (optional)
- Superb cytocentrifuge, resulting in a five-to nine-fold increase in the number of cells on a slide<sup>1</sup> (optional)
- Programmable functions to accommodate different intensities, and personal preferences
- Laboratory compliance with traceability features is ensured



*ELITechGroup is the  
inventor of Aerospray® Staining*

## BENEFITS TO YOUR LAB

- Regressive and progressive staining capabilities
- Consistent, reliable, and standardized staining across multiple labs
- Easily compare slides from different labs
- High-quality control ensuring no stain variability when moving from LOT to LOT
- Reduces labor costs and aids labs in lowering the cost per slide
- Low maintenance required – simple and time efficient cleaning cycles
- The perfect back-up for high automation laboratories for specialty staining and during maintenance

## APPLICATIONS

- ▶ Bronchoalveolar Liquid (BAL)
- ▶ Cerebrospinal Fluid (CSF)
- ▶ Urine
- ▶ Buccal (pure squamous cells)
- ▶ Mucus/Sputum
- ▶ Synovial Fluid
- ▶ Body Cavity Fluids (BCF)
- ▶ Aspirates
- ▶ Washes
- ▶ Other Cytology Samples



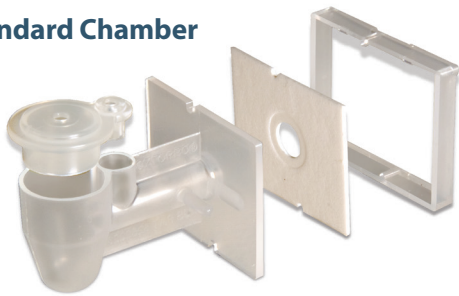
## FIVE-TO NINE-FOLD INCREASE IN THE NUMBER OF CELLS ON A SLIDE<sup>1</sup>

With the optional Cytopro® Rotor, the Aerospray Stainer becomes a superb cytocentrifuge with eight-slide capacity and programmability, at a fraction of the cost of purchasing a stand-alone cytocentrifuge.

### AVAILABLE SAMPLE CHAMBERS

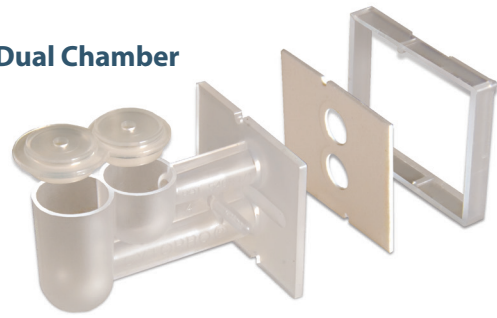
Patented flow control increases cell yield and delivers consistent results.

#### Standard Chamber



Combines ease of use with superb cell recovery.

#### Dual Chamber



Places two samples on the same slide for increased efficiency and economy.

#### Cytopro Magnum®



Accepts sample sizes up to 6 mL.

<sup>1</sup> Huppmann, A. R., Rheingold, S. R., Bailey, L. C., Helfrich, M., & Choi, J. K. (2012). Detection of Leukemic Lymphoblasts in CSF Is Instrument-Dependent. *American Journal of Clinical Pathology*, 137(5), 795-799. doi:10.1309/ajcpp4hq2fxqezil

## THE AEROSPRAY® PROCESS FOR CYTOLOGY STAINING



### THE STAINING STEPS

**1** Nuclear staining is done by applying the hematoxylin. Slides are then washed with acid alcohol to remove excess stain.

**2** Bluing reagent is applied to raise the pH of the slides and deepen the blue color of the nuclear stain. Slides are then rinsed with alcohol.

**3** Cytoplasmic staining is then done by applying orange G and EA 50 reagents, followed by another alcohol rinse.

**4** An alcohol wash cleans the excess stain and leaves the slides wet.

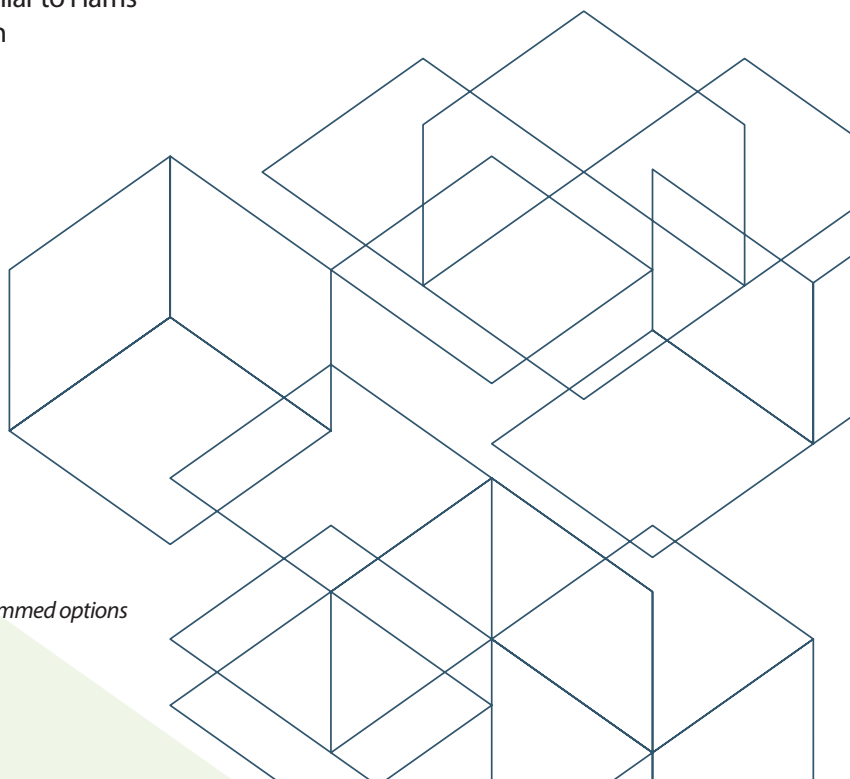
### TWO STAINING APPROACHES

- Progressive Stain
  - Intensity is controlled through increased applications of hematoxylin
  - Most common cytology staining approach
  - Most similar to Gill's approach
- Regressive Stain
  - Cells are purposely over stained with hematoxylin
  - Background noise is reduced for higher contrast
  - Most similar to Harris' approach

### SLIDE STAINING THROUGHPUT

- High Capacity Carousel
  - 30-slide carousel allows for increased slide capacity
- Fast Cycle Time
  - With an average stain cycle time of 15 minutes and cycle times as fast as 5 minutes\*

*\*Stain cycle duration varies depending on stain mode and programmed options*



# Aerospray® Cytology Model 7522

Slide Carousel Capacity	1 to 12 or 1 to 30 Slides, depending on carousel (carousel choice optional)
Cyto centrifuge Rotor Speed	100-2000 rpm ( $\pm$ 5%), user programmable
Dimensions (W x H x D)	57 cm x 25 cm x 54 cm (22" x 10" x 21")
Clearance Height (lid open)	58 cm (23")
Weight	18 kg
Electrical Requirements	100 to 240 VAC ( $\pm$ 10%) @ 50-60 Hz, 200 watts maximum
Drain Connection	Outlet on rear panel
Safety	Lid interlock: lid must be closed for operation and is locked down during carousel rotation
Reagent Level Detect	Level detection on all reagent lines
Waste Level Detect	Level detection in waste bottle (optional)

## Aerospray® Cytology Stain Consumption Specifications

	Theoretical Maximum Number of Slides Per Bottle			
	Full 12-Slide Carousel		Full 30-Slide Carousel	
	Pre-Programmed Progressive 1 Stain Cycle	Pre-Programmed Regressive 1 Stain Cycle	Pre-Programmed Progressive 1 Stain Cycle	Pre-Programmed Regressive 1 Stain Cycle
EA-50 Stain, 500 mL	444	276	240	120
Orange G Stain, 500 mL	504	300	270	150
Bluing Agent, 500 mL	540	336	270	150
Hematoxylin I, 500 mL	444	240	240	120
Hematoxylin II, 500 mL	444	240	240	120
Alcohol Wash, 500 mL	*	*	*	*
Acid Alcohol Wash, 500 mL	*	*	*	*

\*Variable: used in both cleaning and some stain cycles.

## Cytopro® Cyto centrifuge Rotor Model AC-160

Capacity	8 chambers and slides
Weight	1.1 kg (2.5 lb)
Dimensions (Dia. x H)	22.6 cm x 6.2 cm (8.9" x 2.4")

Catalog #	Description
MODEL 7522	Aerospray® Cytology Slide Stainer/Cyto centrifuge
AC-160	Cytopro® Rotor
SS-029	Aerospray® Nozzle Cleaning Solution, 355 mL
SS-029C	Aerospray® Nozzle Cleaning Solution Concentrate, 250mL
SS-051A	EA-50 Stain Reagent, 500 mL bottle
SS-051B	Orange G Stain Reagent, 500 mL bottle
SS-051C	Bluing Agent, 500 mL bottle
SS-051D	Hematoxylin I, 500 mL bottle
SS-051D2	Hematoxylin II, 500 mL bottle
SS-051E	Alcohol Wash, 500 mL bottle
SS-051F	Acid Alcohol Wash, 500 mL bottle
SS-133	Decontamination Solution Concentrate, (Dilutes to 250 mL)
AC-187	Barcode Scanner and Waste Level Detect Bundle
AC-195	12-Slide Carousel, Aerospray® Stainers
AC-196	30-Slide Carousel, Aerospray® Stainers
AC-197	950 mL External Reagent Bottle with Level Detect

Please check additions to catalog numbers made in your country

# WORLD LEADER IN AEROSPRAY® STAINING TECHNOLOGY AND CYTOCENTRIFUGATION

# 50 YEARS

**“Proven Performance, Time After Time.”**

ELITechGroup has been in operation for nearly 50 years and distributes to over 100 countries. Proud to be the World Leader in Aerospray staining technology and Cytocentrifugation, offering the world’s most reliable solutions in performance and reliability. ELITechGroup is confident that this automated technology will elevate the performance of any laboratory and facilitate superior results.

Join the thousands of laboratories utilizing the world’s best staining technology and take your laboratory to a new level of efficiency and performance.



ELITechGroup has been certified by BSI to ISO 13485:2016 under certificate numbers MDSAP 689350 and FM 703046



## WORLDWIDE OFFICES

Please contact your sales representative for terms, conditions and product availability in your country.

### Headquarters

Australia  
Belgium & Luxembourg  
Brazil  
France  
Italy  
New Zealand

### +33 1 41 45 07 10

T: +61 1800 815 098  
T: +32 9 282 05 31  
T: +55 27 3025 1415  
T: +33 4 83 36 10 82  
T: +39 02 48 40 35 42  
T: +64 800 555 611

Canada  
Serbia  
Switzerland  
The Netherlands  
UK  
United States

T: +1 888 662 4925  
T: +381 11 2467119  
T: +41 26 663 86 60  
T: +31 313 430 500  
T: +44 1442 869320  
T: +1 435 752 6011

IVD CE

 **ELITechGroup**  
EMPOWERING IVD  
[AEROSPRAYSTAINING.com](http://AEROSPRAYSTAINING.com)  
[info@elitechgroup.com](mailto:info@elitechgroup.com)